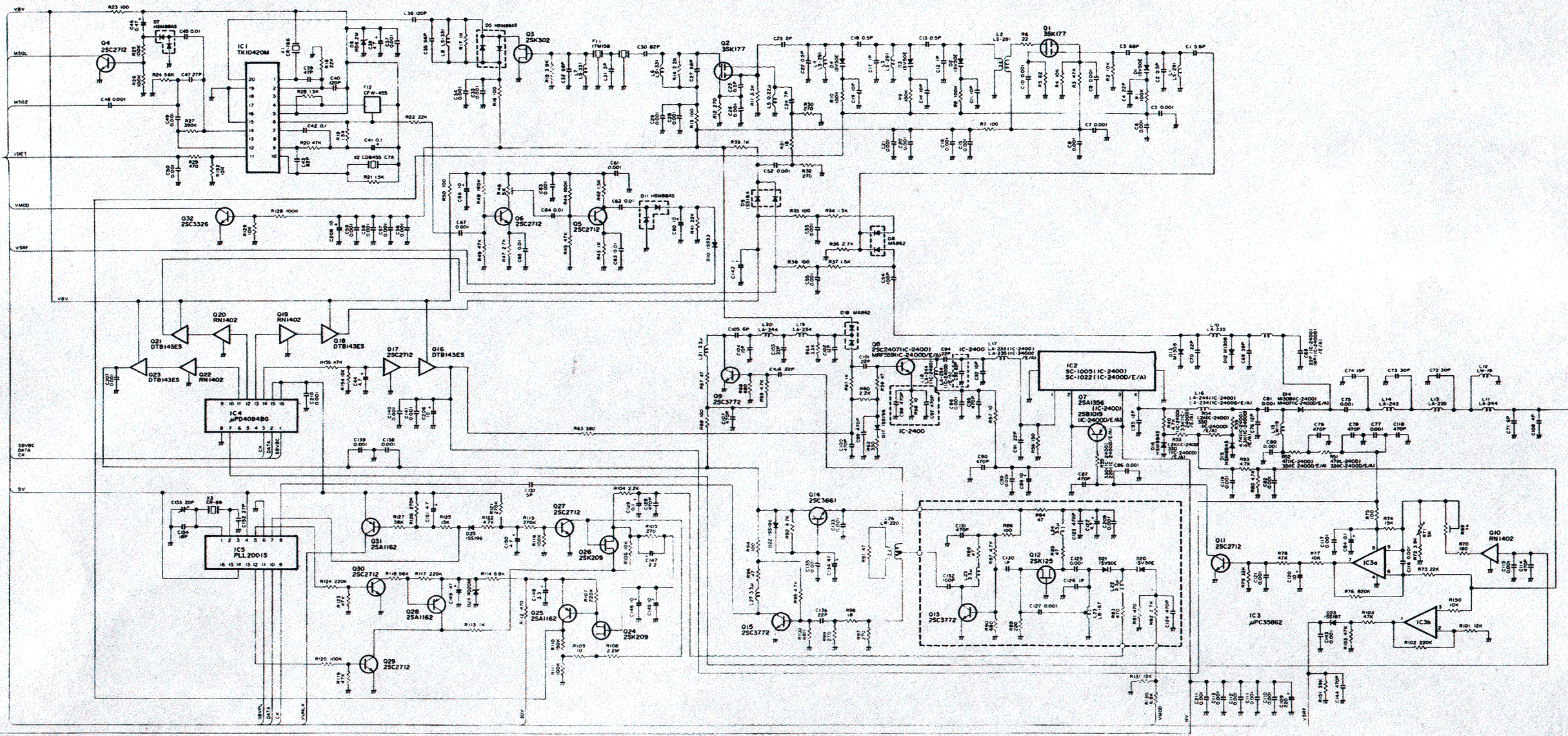


1AIN B UNIT

- C155 0.001
- C156 0.001
- C157 0.001
- C158 0.001
- C159 0.001
- C160 0.001
- C161 47P
- C162 47P
- C163 47P
- C164 47P
- C165 0.001
- C167 0.021



To upgrade quality, some components may be subject to change without notice.

A-5051-2EX

Icom In

MAIN A UNIT

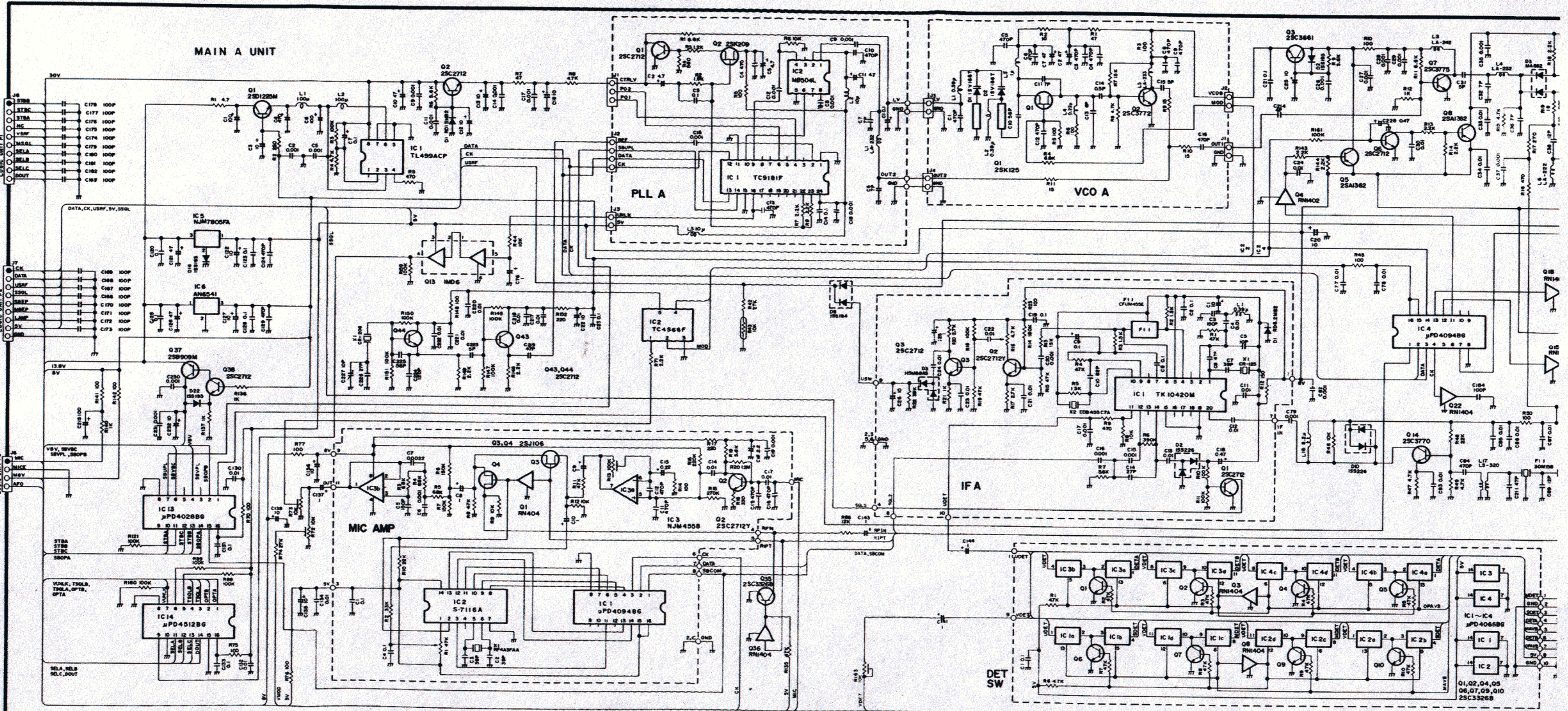
PLL A

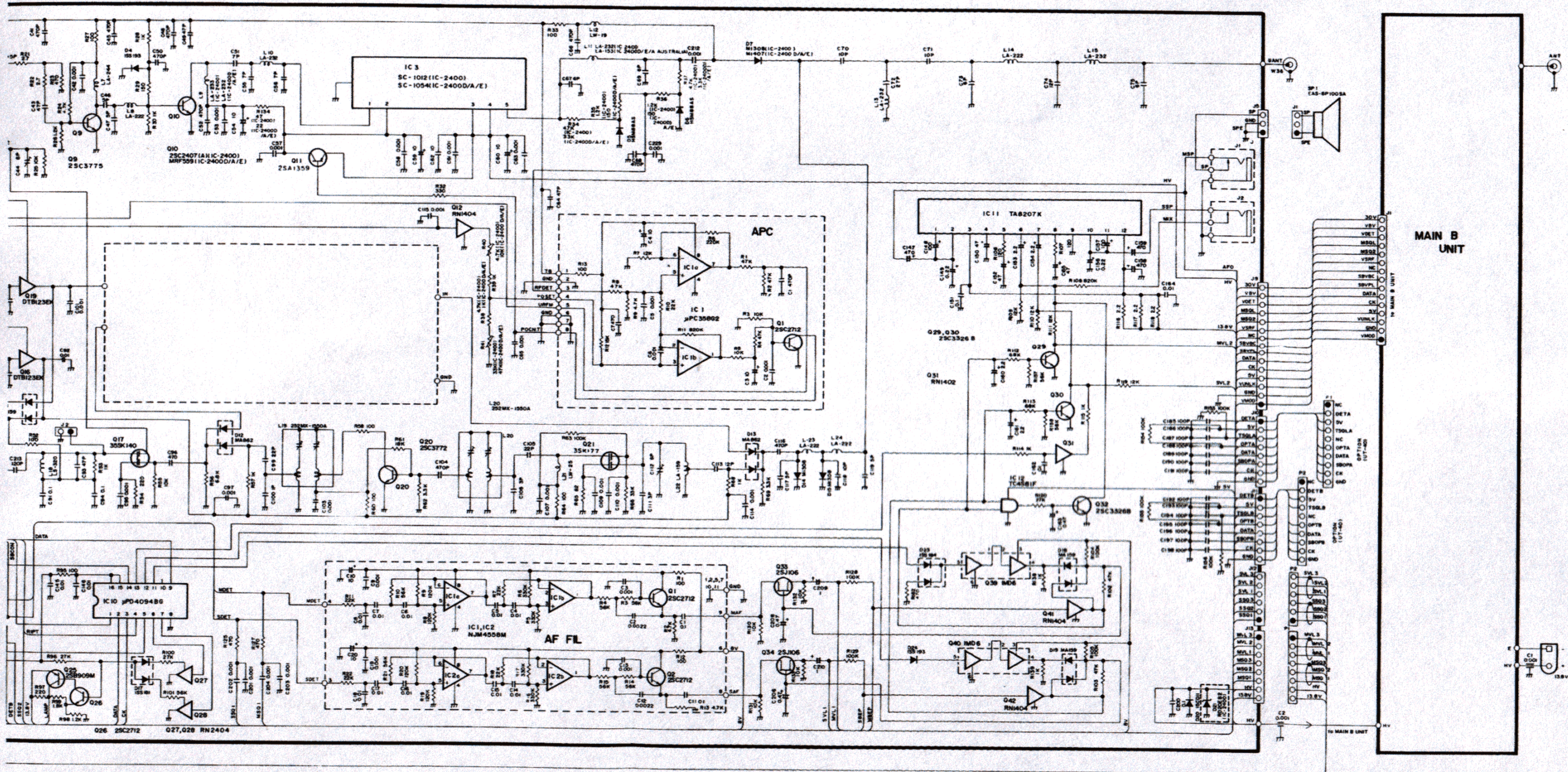
VCO A

IFA

MIC AMP

DET SW





MAIN B UNIT

TO MAIN B UNIT

TO MAIN B UNIT

TO MAIN B UNIT

TO MAIN B UNIT

13.8V